

Technical data sheet

Product features



Gas range with cabinet

Model	SAP Code	00014783
--------------	-----------------	----------



- Device type: Gas unit
- Power consumption of the zone 1 [kW]: 8,5
- Power consumption of the zone 2 [kW]: 8,5
- Power consumption of the zone 3 [kW]: 8,5
- Power consumption of the zone 4 [kW]: 8,5
- Power consumption of the zone 5 [kW]: 4
- Power consumption of the zone 6 [kW]: 4
- Ignition: Eternal flame
- Material: AISI 304 top plate and cladding

SAP Code	00014783	Number of zones	6
Net Width [mm]	1200	Power consumption of the zone 1 [kW]	8,5
Net Depth [mm]	730	Power consumption of the zone 2 [kW]	8,5
Net Height [mm]	900	Power consumption of the zone 3 [kW]	8,5
Net Weight [kg]	102.70	Power consumption of the zone 4 [kW]	8,5
Power gas [kW]	42.000	Power consumption of the zone 5 [kW]	4
Type of gas	Natural gas, propane butane	Power consumption of the zone 6 [kW]	4

Technical data sheet

Technical drawing

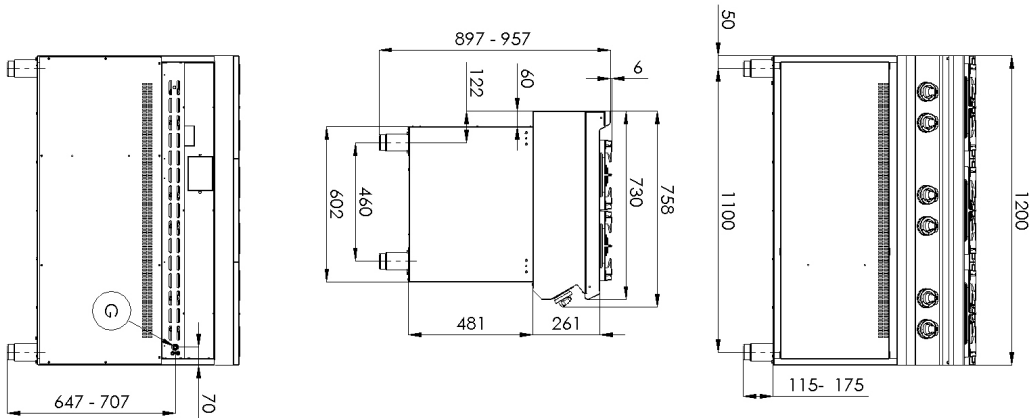


Gas range with cabinet

Model

SAP Code

00014783



Technical data sheet

Technical parameters



Gas range with cabinet

Model

SAP Code

00014783

1. SAP Code:

00014783

2. Net Width [mm]:

1200

3. Net Depth [mm]:

730

4. Net Height [mm]:

900

5. Net Weight [kg]:

102.70

6. Gross Width [mm]:

1260

7. Gross depth [mm]:

820

8. Gross Height [mm]:

1080

9. Gross Weight [kg]:

119.00

10. Device type:

Gas unit

11. Construction type of device:

With substructure

12. Power gas [kW]:

42.000

13. Ignition:

Eternal flame

14. Type of gas:

Natural gas, propane butane

15. Exterior color of the device:

Stainless steel

16. Material:

AISI 304 top plate and cladding

17. Worktop type:

Molded - comfortable cleaning maintenance

18. Worktop material:

AISI 304

19. Worktop Thickness [mm]:

1.50

20. Number of zones:

6

21. Power consumption of the zone 1 [kW]:

8,5

22. Power consumption of the zone 2 [kW]:

8,5

23. Power consumption of the zone 3 [kW]:

8,5

24. Power consumption of the zone 4 [kW]:

8,5

25. Power consumption of the zone 5 [kW]:

4

26. Power consumption of the zone 6 [kW]:

4

27. Grid material:

Cast iron

28. Service accessibility:

Trough the frontal panel

Technical data sheet

Technical parameters



Gas range with cabinet

Model

SAP Code

00014783

29. Safety thermocouple:

Yes

32. Type of gas cooking zones:

Powerfull

30. Adjustable feet:

Yes

33. Burner type:

Brass, detachable

31. Number of burners/hot plates:

6